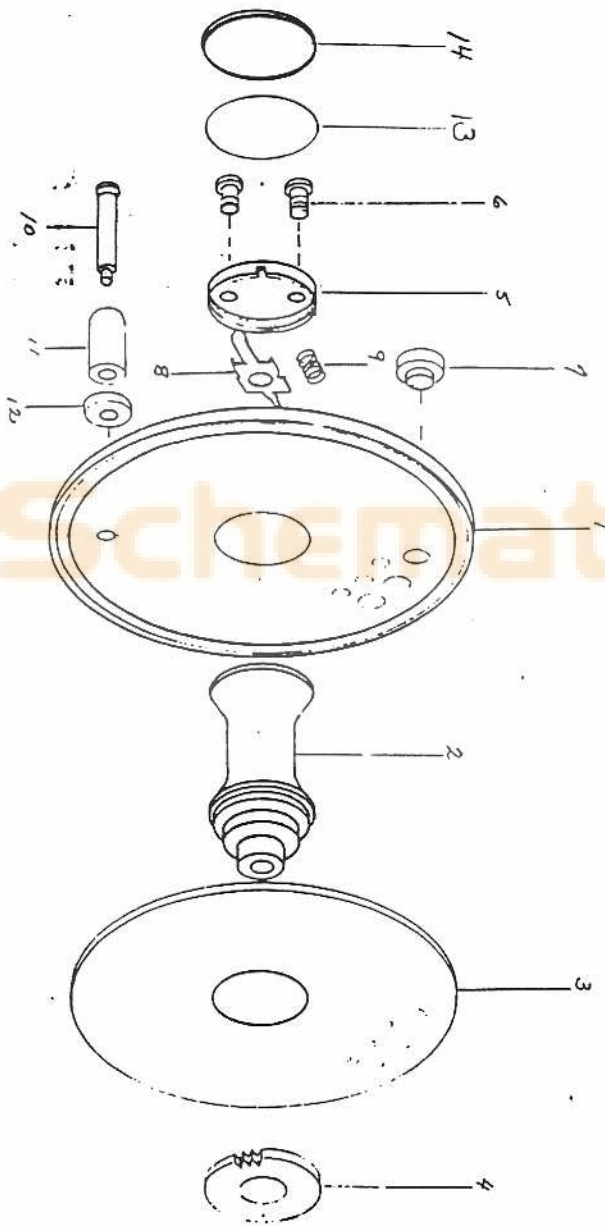


MT 56



Refer use F47, 11, Bx 1

NUMBER OF PART	QUANTITY
1 SKIRTED SPOOL SIDE 606	1
2 HUB 4514	1
3 SPOOL SIDE 167	1
4 GEAR 743	1
5 SPOOL GRP 251-D	2
6 SCREW 203	1
7 COUNTER BALANCE 870N	1
8 SPOOL LOCK 252-S	1
9 SPOOL LOCK SPRING 253-S	1
10 ROLLER PIN 355S	1
11 CRANK KNOB 356 AP	1
12 CRANK KNOB JACKET 162	1
13 GLUE BUTTON 9501	1
14 MEDALLION 2275	1